



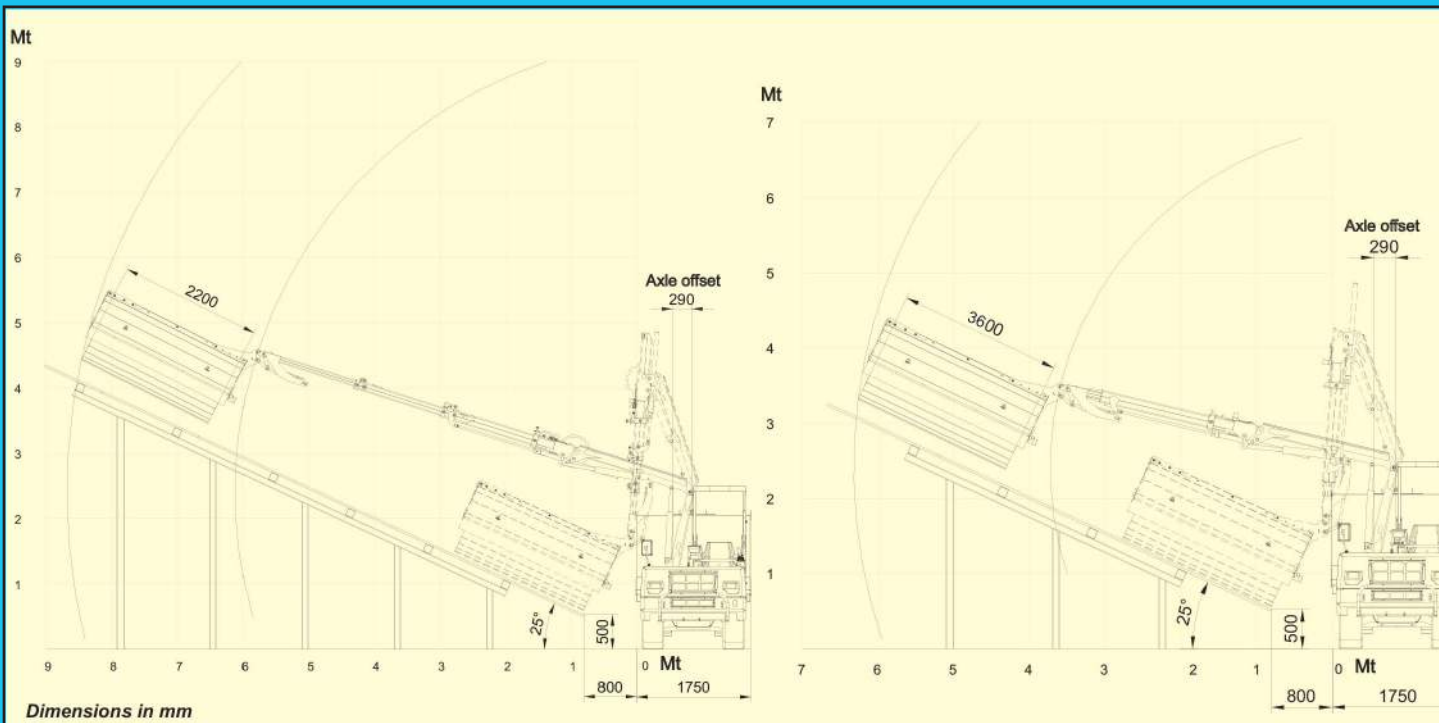
# ROBOKLIN 25

A MULTIFUNCTION MACHINE FOR OPTIMIZING  
OUTPUT OF PHOTOVOLTAIC POWER PLANTS



## General Features

- Multifunction machine on rubber tracks with hydrostatic transmission and independent closed circuit, made by an axial piston pump and 2 motors, one for each track.
- Two drive speeds with electric switch selection: an adjustable working speed (cruise control) for washing panels arrays, plus a faster speed for travel.
- Undercarriage fitted with floating rollers and rubber tracks designed for high-speed travel on most surfaces including all-terrain or muddy ground. The track rollers have oil bath tapered roller bearings and heavy-duty seals.
- Two servo-activated joy-sticks to control machine driving, positioning of the boom and washing tools (brush or HP spray bar).
- High-comfort seat with complete 180 degree swivel keeps the operator oriented in the traveling direction. A solenoid valve allows and maintains the positioning of the joy-sticks to correspond with driving direction.
- A 640 gal. stainless steel water tank allows considerable work autonomy. It is fitted with a large inspection hatch, internal breakwater baffles, re-filling pipe with metal mesh filter and visual level indicator. Tank may be easily removed from chassis. Without tank, the machine can be used for lifting and transporting materials.
- Telescopic boom available with one or three elements. Can also be used as knuckle-boom crane.
- The "load sensing" hydraulic distributor allows smooth and precise boom control.
- The boom has 360 degree swivel to work in any direction.
- The machine can be used alternatively with two different washing systems: a high-grade anti-scratch all-foam rotating brush (various lengths) or a high pressure 580 psi spray bar.
- Ultrasonic sensors automatically compensate for movements of the telescopic boom due to the rough ground surface and different gradient of the panel arrays during washing.
- Hydraulic PTO (12 gal/min @2470 psi) for using attachments.



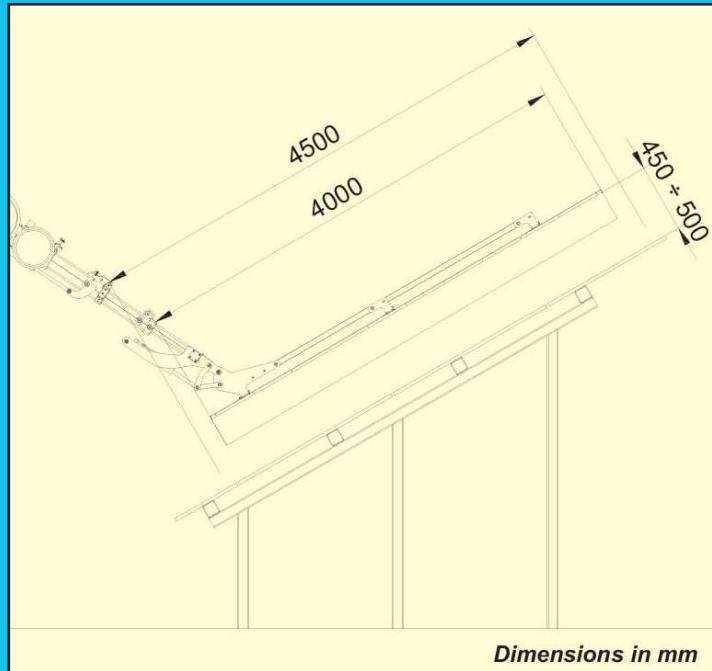
Working diagram of the Roboklin 25/6500 version, with the 3 piece telescoping boom. Short brush maximum reach to 28 feet.

Working diagram of the Roboklin 25/4000 version, with 1 piece telescoping boom. Long Brush maximum reach to 15 feet.

Technical Data			
Weight (empty)	9260 LB	<b>Washing System</b>	
Weight (with water)	14550 LB	Max. Pressure for Washing Pump	580 psi
Diesel Engine	Kubota	HP Spray Bar	21.3 gpm
- Max Power (2600 rpm)	48 HP	Brush Diameter	3.3 ft.
- Displacment	2434 cm	Brush Length	6' to 11' 10"
- Cylinders	4	Rotation Speed	120 rpm
- Cooling	Water	HP Spray Bar length	13.1 ft.
Transmission	Hydrostatic	Maximum Speed (Low/High)	3.1/6.2 mph
Axial Piston Pump with VCC	2	Washing Max. Speed	1 mph
Max. Oil Flow	19/gpm x 2	<b>Working Capacity</b>	
Gear Pump	3	Water Consumption:	
Oil Flow	17 gpm	-Brush gal/panel	0.28 gal.
Max. working psi traveling	4786 psi	-Brush gal/min	10 gal.
Max. working psi other	3626 psi	-HP Spray Bar gal/panel	0.5 gal.
Steering system via independant tracks	servo-controls	-HP Spray Bar gal/min	20.9 gal.
Rubber Tracks Tensioning	grease	Cleaned Surface per Hour	48,000 sq. ft.
Track Width	12.6"	Cleaned Surface with Full Tank	48,000 sq. ft.
Specific Ground Pressure-Empty/Loaded	8psi/13psi		
Max. Gradient Capability Full Load	30%		
<b>Fuel Capacity</b>			
Fuel Tank Capacity	14.5 gal.		
Hydraulic Oil Tank Capacity	8 gal.		
Water Tank Capacity	640 gal.		



Machine driven with dual joy-sticks, left for traction and right for boom control.



Dimensions in mm

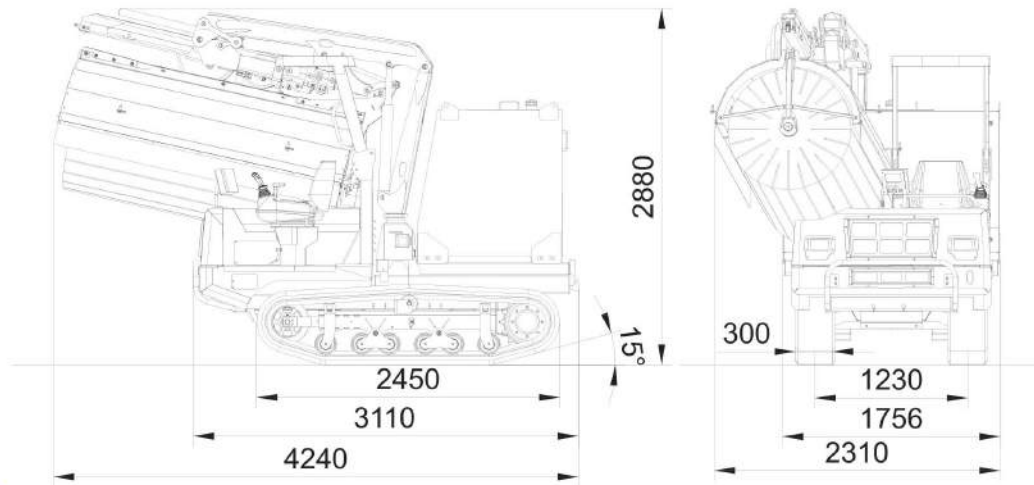
HP spray bar that can be mounted as an alternative to the brush. The design of the bar allows to wash a surface with a max width of 14 feet.





**Dimensions in mm**

*Data, features and pictures are not binding and may be altered without any prior notice.*



Bitimec International Inc.  
 15 E. Putnam Ave - Greenwich, CT 06830  
 info@bitimec.com - (203) 340-9388